

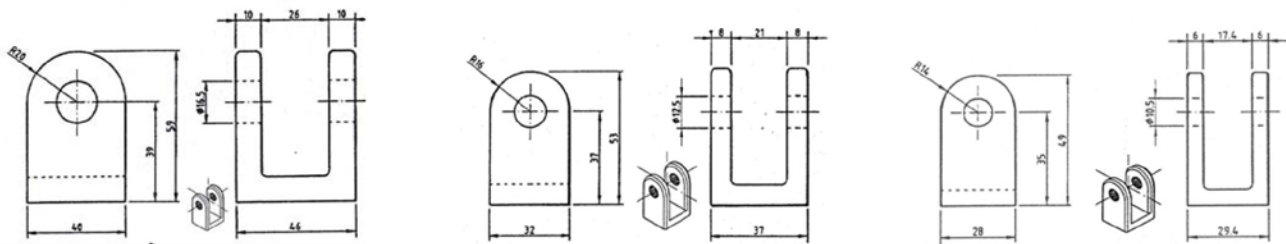


Izerwaren Part Number	<p>BUTTERFLY WING NUTS WITH 26 DEGREE ANGLE</p>					DIN Number	
M.701.12	THREAD SIZE A	d = OD	B = OD	L =	H =	AVAILABLE	<b>DIN 80701</b> 1.4401 stainless steel <b>316 STAINLESS STEEL</b>
M.701.16	M 12	10	24	240	75	X	
M.701.20	M 16	13	30	240	75	X	
M.701.24	M 20	15	36	240	75	X	

Finish: untreated castings

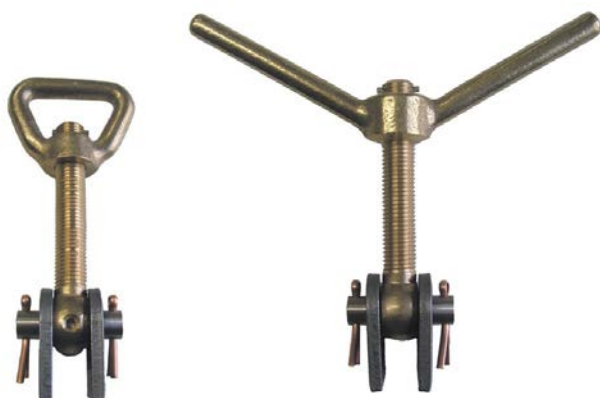
Izerwaren Part Number	<p>FORMED PRESS PLATE FOR WING NUT</p>				DIN Number
M.407.12	FOR HOLE:	LENGTH	WIDTH	THICKNESS	<b>DIN 83407</b> 1.4408 stainless steel <b>316 STAINLESS STEEL</b>
M.407.16	M 12	100	40	10	
M.407.20	M 16	125	50	12	
M.407.24	M 20	150	60	15	

Finish: untreated

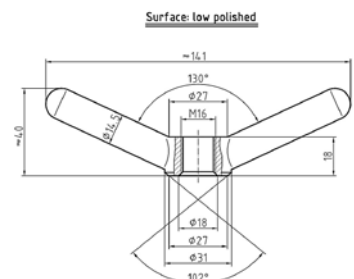


For more parts to make a set: See page 14

Izerwaren Part Number	HINGE PLATE U SHAPE FOR WELDING					DIN Number GRADE
M.571.20	FOR WING NUT SIZE	HIGH X WIDE	OPENING WIDTH	Hole for bolt	AVAILABLE	<b>1.4571 stainless steel</b>  <b>316 - Ti Stainless steel</b>
M.571.16	M20	59 x 46	26	16.5 Ø	X	
M.571.12	M16	53 x 37	21	12.5 Ø		

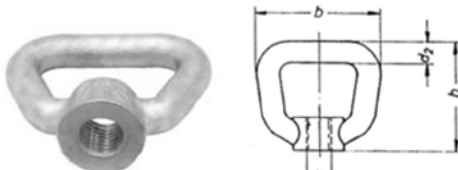


Please see page 4-3-7 for eye bolts

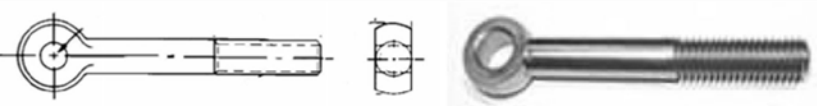


M.802.XX Short wingnut; In size: M12, M16, M20, M24  
316 stainless steel



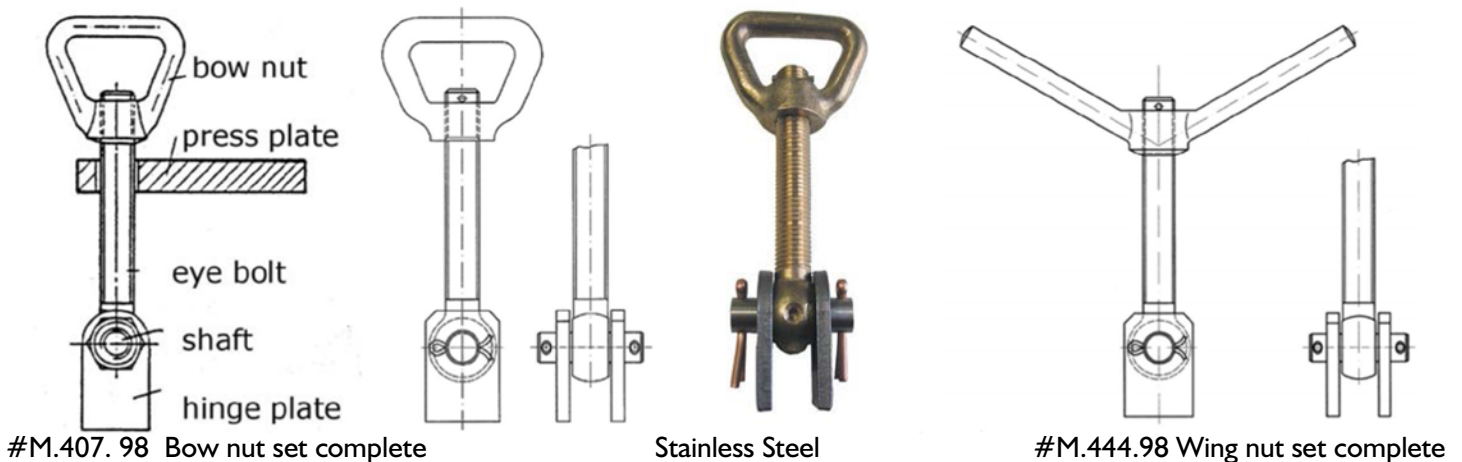
Izerwaren Part Number					DIN Number
	BOW NUTS LIFTING NUTS				
	FOR THREAD SIZE d 1	d 2 = OD	B = OD	H =	AVAILABLE
M.704.08	M 8	7	40	40	X
M.704.10	M 10	9	50	45	X
M.704.12	M 12	10	58	52	X
M.704.16	M 16	12	68	59	X
M.704.20	M 20	13	77	66	X
					<b>DIN 80704</b> 316-Stainless steel

Finish: untreated castings

Izerwaren Part Number						DIN Number
	EYE BOLTS					
	LENGTH	M6	M8	M10	M12	M16
M.444.30	30	X	X			
M.444.35	35	X	X			
M.444.40	40	X	X	X		
M.444.45	45	X	X	X		
M.444.50	50	X	X	X	X	
M.444.60	60	X	X	X	X	X
M.444.70	70		X	X	X	X
M.444.80	80		X	X	X	X
M.444.90	90		X	X	X	X
M.444.10	100		X	X	X	X
M.444.12	120			X	X	X
M.444.14	140				X	X
M.444.15	150				X	X
M.444.16	160				X	X
						<b>DIN 444</b> 00444 000 07 06030

Finish: Machine finish

Thread: partially threaded



See also page 4-3-6 for press plates and hinge plates separate